

Section 6

Lifting Equipment, Cranes & Jack Stands

- Inground Lifts
- Two-Post Lifts
- Four-Post Lifts
- Scissor Lifts
- Low-Rise Lifts
- Lube Lifts
- Mid-Rise Lifts
- Lift Accessories
- Cranes & Accessories
- Jacks & Stands
- Power Train Lifts
- Material Handling



APPROVED D E A L E R
EQUIPMENT

Section 6:

This section features a selection of Lifting Equipment, Cranes and Jack Stands available through the Lexus Approved Dealer Equipment program. All product has been reviewed and approved by Toyota Motor Sales, USA.

Suppliers:

- Challenger Lifts Inc
- Herkules Equipment
- John Bean Co.
- Norco Industries, Inc.
- OTC / A Division of SPX
- Rotary Lift
- Snap-on Tools
- Wesco Industrial Products

For additional product information or to contact a program representative

CALL: 1-800-368-6787

Snap-on
Equipment Solutions

Inground Lifts:

This is an introduction to Inground Lifts. Some things to consider when shopping for Inground Lifts and/or related accessories, would be:

- All inground lifts in the Lexus Approved Dealer Equipment (LADE) program are American Lift Institute (ALI) certified. The use of non-certified lifts is not recommended.
- Lexus recommends inground lifts whenever possible for maximum technician productivity and minimal in-shop damage to customers' vehicles.
- Three-stage arms provide more flexibility in getting to Lexus-recommended lift points than the conventional two-stage arms. Inground lifts with pads help increase technician efficiency for quick service applications, but padded inground lifts are not suited for all vehicles.

When considering a purchase of any capitol equipment, please contact your Regional Manager at 1-800-368-6787 for assistance in configuring the proper set-up for your environment.

INGROUND LIFTS

SUPPLIED BY: CHALLENGER LIFTS INC

EnviroLift™ Cassette Style Inground Lifts

Eliminate environmental concerns associated with traditional inground lifts. Challenger Lifts revolutionary EnviroLifts are contained in a sealed container, engineered to protect the environment from your equipment. It's the best of surface and inground lifts combined!

Features

- Maximizes the number of bays in your shop and generates more revenue potential.
- Eliminates the risk of vehicle door damage.
- Fully contained polymer container minimizes risk of hydraulic fluid seeping into the ground as associated with low pressure inground lifts.
- Low profile arms and superstructure for easy drive over clearance.
- Mechanical lock engages every 3" allowing technician to work at an ergonomic height to increase productivity and minimize fatigue.
- Stainless Steel air lock release cylinder prevents rust associated with condensation.
- Unlike traditional inground lifts, the EnviroLift is removable and relocatable.

Models

- CLFAV1020WV - 10,000 lb. Versymmetric® AquaVantage™ inground lift. Runs on compressed air and water for a RealGREEN™ lifting solution. Rise: 80", Reach: 19-5/8" - 42"
- CLFCS1020WV - 10,000 lb. Versymmetric® offset three-stage front arms + offset three-stage rear arms. Recommended ceiling height: 6'7" plus height of tallest vehicle, Front arm reach: 19-5/8" - 42", Rear arm reach: 19-5/8" - 42".
- CLFCS1220 - 12,000 lb. Versymmetric® heavy-duty inground lift. Rise: 81", Reach: 32" - 49-1/4".
- CLFCS1520 - 15,000 lb. Versymmetric® heavy-duty inground lift. Rise: 84-1/4", Reach: 26-1/4" - 43".



CLFAV1020WV



INGROUND LIFTS

SUPPLIED BY: ROTARY LIFT

SmartLift® Inground Lifts

Maximize space and productivity. An open and aesthetically pleasing service area says "first class" to customers. A streamlined look instills confidence and can translate into higher customer satisfaction. SmartLift® lifts have a smaller footprint than surface lifts.

Features

- Available in 8,000, 9,000, 10,000 or 12,000 lb. capacity.
- 8.5" diameter pistons that hold the superstructure and high pressure cylinder.
- Removable non-skid cover plate with a one piece leak resistant seal allows easy access to interior system.



ROTSL210RA



Models

- ROTSL210MP8 - 8,000 lb. moveable pad SmartLift®. Ultra low profile. Comes standard with a multi-position spotting dish and rubber block adapters.
- ROTSL19 - 9,000 lb. single post SmartLift®. Conventional controls located on power unit.
- ROTSL19I - 9,000 lb. single post SmartLift®. inbay® controls and additional features. Two-stage arms with three position flip-up adapters.
- ROTSL210 - 10,000 lb. twin post SmartLift®. Controls located on power unit. Two-stage arms with three position flip-up adapters.
- ROTSL210I - 10,000 lb. twin post SmartLift®. inbay® controls and additional features. Two-stage arms with three position flip-up adapters.
- ROTSL210RA - 10,000 lb. twin post SmartLift®. Conventional controls located on power unit. Includes rubber adapters.
- ROTSL210IRA - 10,000 lb. twin post SmartLift®. inbay® controls and additional features. Includes rubber adapters.
- ROTSL212 - 12,000 lb. twin post SmartLift®. Conventional controls located on power unit. Stackable adapters.
- ROTSL212I - 12,000 lb. twin post SmartLift®. inbay® controls and additional features. Two-stage arms with three position flip-up adapters.

LEASE WITH US!

Benefits:

- Provides up to 100% of financing
- Conserves working capital
- Simple documentation
- Flexible payment plans

Terms:

- \$2,000 - \$100,000+
- Up to 60 months

Rates:

- Extremely competitive rates and terms

Requirements:

- For equipment items
- Business entity only
- \$1.00 end of lease purchase
- Proof of insurance needed over \$2,500
- Financial statements required for transactions over \$50,000
- First and last payment required at lease inception

Just call **1-800-368-6787** for a quote!

Above Ground Lifts:

This is an introduction to Above Ground Lifts. Within this section you will find Two-Post, Four-Post, Scissor, Low-Rise, Mid-Rise and Lube Lifts. Some things to consider when shopping for Above Ground Lifts, would be:

- All above ground lifts in the Lexus Approved Dealer Equipment (LADE) program are American Lift Institute (ALI) certified. The use of non-certified lifts is not recommended.
- Two-post above ground lifts are an acceptable alternative to inground lifts where the environment is not conducive to inground lifts. Lexus recommends inground lifts whenever possible.
- Three-stage arms provide more flexibility in getting to Lexus-recommended lift points than the conventional two-stage arms.

When considering a purchase of any capitol equipment, please contact your Regional Manager at 1-800-368-6787 for assistance in configuring the proper set-up for your environment.

TWO-POST LIFTS

SUPPLIED BY: CHALLENGER LIFTS INC

Versymmetric® Two-Post Lifts

Challenger's ALI/ETL Certified Versymmetric® Two-Post Lifts maximize your revenue potential by having the flexibility to raise vehicles both symmetrically and asymmetrically in a single service bay. 10,000 lb. Versymmetric® Two-Post automotive lifts can accommodate just about anything that comes in for service and are equipped with one of three Versymmetric® arm configurations.

Features

- Double your service capabilities. Heavy-duty arms are specially engineered to lift vehicles BOTH true " symmetrically" and "asymmetrically" to increase a bay's servicing flexibility and revenue potential.
- An overhead non-load bearing cable equalization system and small base plate leaves the floor clear so tools can be moved easier and minimizes floor obstructions.
- Technicians can save valuable time by disengaging both column locks at the same time with our single point mechanical lock release system.
- User friendly arm restraints automatically disengage when lift is fully lowered for easy positioning of arms and securely engage when lift is raised.

Models

- CLFCL10V3 - 10,000 lb. Versymmetric® offset front arms, three-stage rear arm lift. Rise: 74-5/8", Column height: 11'8", Front arm reach: 19-13/16" - 42", Rear arm reach: 37-5/8" - 60".
- CLFCL10V32 - 10,000 lb. Versymmetric® offset front arms, three-stage rear arm lift. Rise: 74-5/8", Column height: 13'8", Front arm reach: 19-13/16" - 42", Rear arm reach: 37-5/8" - 60".
- CLFCL10V33 - 10,000 lb. Versymmetric® offset front arms, three-stage rear arm lift. Rise: 74-5/8", Column height: 14'8", Front arm reach: 19-13/16" - 42", Rear arm reach: 37-5/8" - 60".



CLFCL10

TWO-POST LIFTS
SUPPLIED BY: CHALLENGER LIFTS INC

Heavy-Duty Two-Post Lifts

All Heavy-Duty Two-Post Lifts are symmetric lifting and cable equalized. Not only does Challenger's Heavy-Duty Series lift a lot, it's a lot of lift. With features that you would expect to pay more for, like low profile arms, padded overhead cut-off bar adapter accessories, etc., no other lift company gives you more.

Features

- Single push button power unit raises lift and a release valve handle lowers it.
- Challenger's arm restraints automatically disengage when lift is fully lowered for easy positioning of arms and securely engage when lift is raised.
- Technicians can disengage both columns at the same time with our single-point air actuated lock release.
- Single piece adapter organizer prevents adapters from being misplaced.

Models

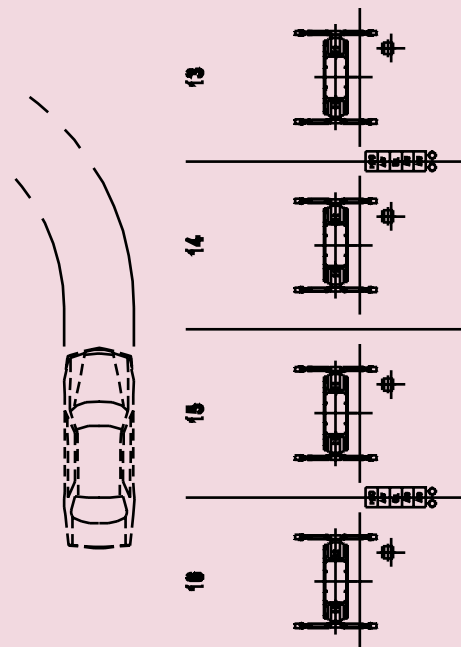
- CLF12000 - 12,000 lb. heavy-duty two-post lift. Rise: 84-3/4", Overall height: 13'8", Arm reach: 37" - 54".
- CLF12001 - 12,000 lb. heavy-duty two-post lift. Rise: 84-3/4", Overall height: 14'8", Arm reach: 37" - 54".
- CLF12002 - 12,000 lb. heavy-duty two-post lift. Rise: 84-3/4", Overall height: 15'8", Arm reach: 37" - 54".
- CLF15000 - 15,000 lb. heavy-duty two-post lift. Rise: 85-1/2", Overall height: 14'6", Arm reach: 38-1/2" - 62".
- CLF15002 - 15,000 lb. heavy-duty two-post lift. Rise: 85-1/2", Overall height: 16'6", Arm reach: 38-1/2" - 62".



CLF12000

Purchasing an Above Ground or Inground Lift or Other Capitol Equipment?

To configure the proper set-up for your environment, please call **1-800-368-6787** to contact your regional manager for assistance.



6-4

TWO-POST LIFTS

SUPPLIED BY: ROTARY LIFT

Two-Post Lifts

The most advanced, innovative designs available in the industry. This means more technician efficiency and more profitability for you.

Features

- One touch inbay® controls save steps with dual controls. inbay® models only.
- inbay® models offer convenience integrated air/electric connections available for increased technician productivity.
- Available as extended height models for high profile vehicles.
- Utilizes solenoid locks verses mechanical locks.



ROTA10IRA

Models

Asymmetric

- ROTSPA10 - 10,000 lb. asymmetric two-post lift. Rise: 78", Front arm reach: 23-3/4" - 40-3/4", Rear arm reach: 41-3/8" - 61".
- ROTSPA10EH1 - 10,000 lb. asymmetric two-post lift. Extended overhead height: 1', Rise: 78", Front arm reach: 23-3/4" - 40-3/4", Rear arm reach: 41-3/8" - 61".
- ROTSPA10EH2 - 10,000 lb. asymmetric two-post lift. Extended overhead height: 2', Rise: 78", Front arm reach: 23-3/4" - 40-3/4", Rear arm reach: 41-3/8" - 61".
- ROTSPA10IRA - 10,000 lb. asymmetric two-post lift, 3-stage front arm. Includes rubber adapters. Rise: 73-7/8", Front arm reach: 21-5/8" - 43-1/2", Rear arm reach: 34-1/2" - 58".
- ROTA10I - 10,000 lb. asymmetric two-post lift inbay®. Rise: 81", Front arm reach: 23-3/4" - 40-3/4", Rear arm reach: 41-3/8" - 61".
- ROTA10IRA - 10,000 lb. asymmetric two-post lift inbay®, 3-stage front arm. Includes rubber adapters. Rise: 76-7/8", Front arm reach: 21-5/8" - 43-1/2", Rear arm reach: 34-1/2" - 58".
- ROTA10IBEH1 - 10,000 lb. asymmetric two-post lift inbay®. Extended overhead height: 1', Rise: 81", Front arm reach: 23-3/4" - 40-3/4", Rear arm reach: 41-3/8" - 61".
- ROTA10IEH2 - 10,000 lb. asymmetric two-post lift inbay®. Extended overhead height: 2', Rise: 81", Front arm reach: 23-3/4" - 40-3/4", Rear arm reach: 41-3/8" - 61".

Symmetric

- ROTSP10 - 10,000 lb. symmetric two-post lift. Two stage arms with three position flip-up adapters. Rise: 78-1/4", Front arm reach: 31" - 54", Rear arm reach: 31" - 54".
- ROTSP10EH1 - 10,000 lb. symmetric two-post lift. Two stage arms with three position flip-up adapters. Extended overhead height: 1', Rise: 78-1/4", Front arm reach: 31" - 54", Rear arm reach: 31" - 54".
- ROTSP10EH2 - 10,000 lb. symmetric two-post lift. Two stage arms with three position flip-up adapters. Extended overhead height: 2', Rise: 78-1/4", Front arm reach: 31" - 54", Rear arm reach: 31" - 54".
- ROTSP10EH4 - 10,000 lb. symmetric two-post lift. Two stage arms with three position flip-up adapters. Extended overhead height: 4', Rise: 78-1/4", Front arm reach: 31" - 54", Rear arm reach: 31" - 54".

- ROTSP10I - 10,000 lb. symmetric two-post lift inbay®. Two stage arms with three position flip-up adapters. Rise: 81-1/4", Front arm reach: 31"-54", Rear arm reach: 31" - 54".
- ROTSP10IBEH1 - 10,000 lb. symmetric two-post lift inbay®. Two stage arms with three position flip-up adapters. Extended overhead height: 2', Rise: 81-1/4", Front arm reach: 31" - 54", Rear arm reach: 31"-54".
- ROTSP10IEH2 - 10,000 lb. symmetric two-post lift inbay®. Two stage arms with three position flip-up adapters. Extended overhead height: 2', Rise: 81-1/4", Front arm reach: 31" - 54", Rear arm reach: 31"-54".
- ROTSP10IBEH4 - 10,000 lb. symmetric two-post lift inbay®. Two stage arms with three position flip-up adapters. Extended overhead height: 4', Rise: 81-1/4", Front arm reach: 31" - 54", Rear arm reach: 31"-54".
- ROTSP12 - 12,000 lb. symmetric two-post lift. Stackable adapters. Rise: 81-1/16", Front arm reach: 35" - 54", Rear arm reach: 35"-54".
- ROTSP12EH1 - 12,000 lb. symmetric two-post lift. Stackable adapters. Extended overhead height: 1', Rise: 81-1/16", Front arm reach: 35"-54", Rear arm reach: 35" - 54".
- ROTSP12EH2 - 12,000 lb. symmetric two-post lift. Stackable adapters. Extended overhead height: 2', Rise: 81-1/16", Front arm reach: 35" - 54", Rear arm reach: 35" - 54".
- ROTSP12I - 12,000 lb. symmetric two-post lift inbay®. Stackable adapters. Rise: 84-1/16", Front arm reach: 35" - 54", Rear arm reach: 35" - 54".
- ROTSP12IEH1 - 12,000 lb. symmetric two-post lift inbay®. Stackable adapters. Extended overhead height: 1', Rise: 84-1/16", Front arm reach: 35" - 54", Rear arm reach: 35" - 54".
- ROTSP12IEH2 - 12,000 lb. symmetric two-post lift inbay®. Stackable adapters. Extended overhead height: 2', Rise: 84-1/16", Front arm reach: 35" - 54", Rear arm reach: 35" - 54".
- ROTSP15I - 15,000 lb. symmetric two-post lift inbay®. Rise: 89-1/2", Front arm reach: 37-1/2" - 62", Rear arm reach: 37-1/2" - 62".
- ROTSP15LCI - 15,000 lb. symmetric two-post lift inbay®. Low ceiling. Rise: 89-1/2", Front arm reach: 37-1/2" - 62", Rear arm reach: 37-1/2" - 62".
- ROTSP18I - 18,000 lb. symmetric two-post lift inbay®. Rise 89-1/2", Front arm reach: 37-1/2" - 62", Rear arm reach: 37-1/2" - 62".
- ROTSP18LCI - 18,000 lb. symmetric two-post lift inbay®. Low ceiling. Rise: 89-1/2", Front arm reach: 37-1/2" - 62", Rear arm reach: 37-1/2" - 62".

FOUR-POST LIFTS

SUPPLIED BY: CHALLENGER LIFTS INC

40 Series Four-Post Lifts

Challenger's 40 Series is loaded with features you would expect to pay more for, like solid piece column construction, automatic wheel stops, wheel curbs and anti-skid coating on runways to minimize slipping, etc.

Features

- Solid piece column construction design.
- Superior lifting systems.
- Multiple locking positions allow technician to work at an ergonomic height.
- The most workspace underneath vehicles - 12,000 lb. models feature the highest rise in the industry.
- Single point lock release system allows technician to disengage all columns simultaneously.

Models

- CLF40NFX - 12,000 lb. four-post narrow bay lift. Rise: 78", Overall width: 10'-3/4", Overall length: 18'3-1/2".
- CLF40SFX - 12,000 lb. four-post standard length lift. Rise: 78", Overall width: 10'-10-3/4", Overall length: 18'3-1/2".
- CLF40EFX - 12,000 lb. four-post extended length lift. Rise: 78", Overall width: 10'-10-3/4", Overall length: 20'4-1/2".



CLF40SFX

FOUR-POST LIFTS

SUPPLIED BY: ROTARY LIFT

Four-Post Lifts

Maximize your productivity by using the lift that's right for you. We offer more productivity features than anyone in the industry. More importantly, our lifts are designed to meet or exceed strict ANSI standards and go through rigorous safety tests such as a 1.5 times rated capacity test, lock test by cutting the cables and deformation tests. With our attention to detail and innovation, there is no other four-post on the market that matches Rotary's® quality and value.

Features

- The power unit is located in the front of the lift allowing the latch air release to be placed on the same column. This allows the technician to work more efficiently in the bay and have better access to the controls. The universal bracket allows mounting on the front or the side of the column.
- Protective strips on the end of the ramp eliminate floor gouging.
- Cable inspection port allows a view of 100% of the cable length, an ANSI requirement.
- Filter/lubricator/regulator for clean, lubricated air extends the life of your lift and air powered tools by keeping contamination out of the air lines.

Models

- ROTSM14S - 14,000 lb. closed yoke four-post lift. Maximum wheelbase: 158-1/2", Overall length: 18'9", Minimum bay size: 15'x 23'.
- ROTSM14L - 14,000 lb. closed yoke four-post lift. Maximum wheelbase: 182-1/2", Overall length: 20'9", Minimum bay size: 15'x 25'.
- ROTSMO14S - 14,000 lb. open front or rear four-post lift. Maximum wheelbase: 158-1/2", Overall length: 19'2", Minimum bay size: 15'x 23'.
- ROTSMO14L - 14,000 lb. open front or rear four-post lift. Maximum wheelbase: 192-1/2", Overall length: 22', Minimum bay size: 15'x 26'.
- ROTSMO14EL2 - 14,000 lb. open front or rear four-post lift. Maximum wheelbase: 212-1/2", Overall length: 23'8", Minimum bay size: 15'x 28'.



ROTSMO14L

SCISSOR LIFTS

SUPPLIED BY: JOHN BEAN CO.

Scissors Flat Deck Lifts

Scissor lifts require the least space of any above ground lift providing maximum space efficiency.

Features

- Lifts straight up and down - no fore or aft movement.
- Five scissor lifts use same space as four four-post lifts.
- Built-in air connections for air tools and roller jacks.
- Back-up safety systems: mechanical locks and hydraulic pressure safety valves.
- Front and rear safety stops.
- Long, gradually sloping drive-on ramps.
- ALI / ETL certified.

Models

- JBC469050 - 9,000 lb. scissor lift flat deck. Overall length: 226", Deck surface: 84".
- JBC4612006 - 12,000 lb. scissor lift flat deck. Overall length: 262", Deck surface: 92".



JBC4612006

MID-RISE LIFTS

SUPPLIED BY: CHALLENGER LIFTS INC

CLFMR6 - Portable Mid-Rise Lift

Portable mid-rise lift with heavy-duty tow dolly provides flexibility to service vehicles anywhere, inside or out. Features 7 locking positions (53-1/4", 48-1/8", 45", 40-1/2", 35-1/2", 30" or 23-7/8") that allow technician to work at an ergonomic height, increasing productivity and minimizing fatigue. 6,000 lb. capacity. Includes set of four high adapters and four low adapters.



MID-RISE LIFTS

SUPPLIED BY: HERKULES EQUIPMENT

Air-Powered Mid-Rise Lifts

Lifting vehicles to a proper ergonomic working height will reduce worker fatigue, allowing jobs to turn around faster, resulting in increased profits.

Features

- 100% Air Operated - Incorporates Herkules Air Bag™ technology in every lift system for a smooth, controllable operation.
- Internal automatic safety arm to work safely at numerous heights.
- Pop-off safety valve to prevent over inflation of the air bag.
- Easy to use controls.
- 90 – 120 p.s.i. required.
- Maintenance free, no fluids to clean up or cylinders to replace, and the very durable air bags provide all the power eliminating pressure on the mechanical parts of the lift.

Models

- HKEK-900 - 6,000 lb. Capacity Vehicle Lift. 3.6" lowered height to 29" raised height, Platform size: 38" x 50", raises vehicle by frame.
- HKEK-900-P - 6,000 lb. Capacity Vehicle Lift. 3.6" lowered height to 29" raised height, Platform size: 38" x 50", raises vehicle by frame. Portable hitch, handle and wheels.
- HKEK-900-R - 5,000 lb. Capacity Vehicle Lift. 4.3" lowered height to 29" raised height, Platform size: 38" x 50", raises vehicle by frame. Wheel mounts for rail system.
- HKEK-900-S - 5,000 lb. Capacity Vehicle Lift. 4.1" lowered height to 29" raised height, Platform size: 79" x 151", raises vehicle by wheels.
- HKEK-900-W - 4,000 lb. Capacity Vehicle Lift. 6.3" lowered height to 30" raised height, Platform size: 38" x 50", raises vehicle by frame. Portable casters and floor lock.
- HKEL-1200P - 6,000 lb. Capacity Vehicle Lift. 4.6" lowered height to 36" raised height, Platform size: 44" x 67", raises vehicle by frame.
- HKEL-1200S - 5,000 lb. Capacity Vehicle Lift. 4.6" lowered height to 36" raised height, Platform size: 80" x 151", raises vehicle by wheels.
- HKEL-1200T - 6,000 lb. Capacity Vehicle Lift. 4.6" lowered height to 36" raised height, Platform size: 72" x 63", raises vehicle by frame. Adjustable sliding wings.
- HKEL-1200WF - 5,000 lb. Capacity Vehicle Lift. 8" lowered height to 49" raised height, Platform size: 80" x 151", raises vehicle by frame and wheels. Second lift for tire access.



HKEL-1200T



HKEK-900

MID-RISE LIFTS

SUPPLIED BY: NORCO INDUSTRIES, INC.

NRI86002 - Mid-Rise Lift

Lifts cars, vans and light-duty trucks for wheel and brake related repairs, tire and wheel changing, collision repair work and new car preparation. Automatic safety lock will lock in 26-1/2", 34-1/2", 41" or 48" lift height. 6,000 lb. capacity. 4-3/4" low height for easy drive on and off. Includes set of four 2-1/8" riser plates and four swivel rubber lifting pads.



MID-RISE LIFTS

SUPPLIED BY: SNAP-ON TOOLS

EELR338AP - Mid-Rise Scissor Lift

Serves a wide range of cars, light trucks, and vans. Power pack also doubles as a tow cart to provide convenient flexibility for using the lift in multiple locations. Low drive over height allows lift to be easily positioned under a disabled vehicle. 6500 lb. capacity. 110 Volt/1 Phase/ 60 Hz.

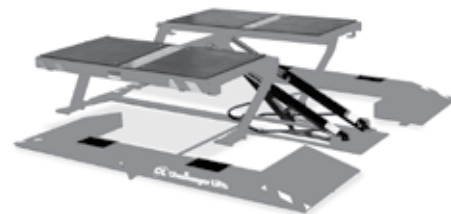


LOW-RISE LIFTS

SUPPLIED BY: CHALLENGER LIFTS INC

CLFSRM10 - Short-Rise Lift

A great choice for brake and tire servicing needs! Features 3 locking positions (13-13/16", 18-3/8" or 21-1/4") that allow technician to work at an ergonomic height, increasing productivity and minimizing fatigue. 10,000 lb. capacity. Includes storage trays, set of four 2-position adapter blocks and four spotting block auxiliary adapters.



LOW-RISE LIFTS

SUPPLIED BY: ROTARY LIFT

Low-Rise Lifts

The VLXS10 and VLXS7 are your solutions for quick service operation on today's passenger cars and trucks up to 10,000 lbs. Tire and brake work can now be performed on a wider variety of vehicles, thanks to the newly designed pads and adapters, wider driveover capability and increased lifting capacity provide the power required to lift 7,000 lbs. and 10,000 lbs.

Features

- VLXS series VersaLifts come standard with a three-position wheel spotting dish for accurate spotting of vehicles.
- Includes four heat-resistant non-slip pads which provide a great contact surface for adapters or vehicle pick-up points.
- Drive-over ramps and side rails provide the width to support wider vehicles during approach.

Models

- ROTVLXS7 - 7,000 lbs. lifting capacity.
- ROTVLXS10 - 10,000 lbs. lifting capacity.



ROTVLXS10

LUBE LIFTS

SUPPLIED BY: NORCO INDUSTRIES, INC.

NRI86006 - Low-Rise Open Center Pit Lift

For quick lube business where profits can be increased by offering tire rotation and other tire/wheel and brake related repairs. Automatic safety lock will lock in 14-1/2", 19", and 24" lift heights. 24" 6,000 lb. capacity. Includes all hoses, fittings and mounting hardware for ground surface installation, set of four rubber riser blocks 1-1/2" thick.



LIFT ACCESSORIES

SUPPLIED BY: CHALLENGER LIFTS INC

CLF10267 - Oil Drain Pan - 32 Gallon

Ideal for routine maintenance and repair. This high capacity, low profile, rolling oil drain pan with splashguard, drain valve and dust cap decreases down time which increases productivity.

**CLFSTAYDRY - Automatic Liquid Evacuation Device**

Stay Dry is an automatic preventative maintenance tool which is pneumatically powered off of the existing internal air supply line. As the lift operator disengages the air actuated safety locks to lower the lift, an internally mounted fojet pump quietly removes any accumulated condensate from the floor of the lift containment system out through the hydraulic chase tube. Prolongs the life of the inground lift and its hydraulic components.

**Air/Electric Workstation**

Increase productivity with air supply and electric outlets on the lift column.

Features

- Convenient power source for extension lights and other tools.
- Air supply within arms' reach for facilities using impact wrenches.

Models

- CLFB10264 - Air electric workstation with filter/lubricator/regulator for two-post lift.
- CLF10310 - Air electric workstation with filter/lubricator/regulator for four-post lift.



CLFB10264

LIFT ACCESSORIES

SUPPLIED BY: ROTARY LIFT

Polymer Pad Adapter Kits

Rubber pad adapters for use with new car undercoating. Includes four adapters, mounting rack and hardware.

Features

- 2,500 lbs. capacity per adapter.
- Fits any frame engaging Rotary Lift manufactured since October 1973.
- Rubber contact surface protects undercoated surfaces.

Models

- ROTFJ6138 - Polymer pad adapter. Adds 1/2".
- ROTFJ6139 - Polymer pad adapter. Adds 2-1/2".

LIFT ACCESSORIES

SUPPLIED BY: ROTARY LIFT

Air/Electric Utility Boxes

Mounts easily on any column and provides quick access to utilities.

Features

- Two 110v electric outlets and air connection.
- The filter/lubricator/regulator helps extend the life of your air tools.

Models

- ROTFA915 - SM/SMO with filter/lubricator/regulator. For use on four-post lifts.
- ROTFA916 - SM/SMO without filter/lubricator/regulator. For use on four-post lifts.
- ROTFA5911 - With filter/lubricator/regulator. For use on two-post lifts.
- ROTFA5910 - Without filter/lubricator/regulator. For use on two-post lifts.

ROTN823 - Door Defender™

Rotary's door defender allows technicians to easily enter and exit the vehicle without damaging their customer's vehicles. The door defender is a low profile solid rubber guard designed to fit over the two-post lift carriage. Includes: One door defender, adhesive to attach to the lift, a Rotary decal and instructions.



ROTFJ6137 - Adapter and Mounting Rack

Required for raising minivans with running boards. Includes four adapters, mounting rack and hardware. Adjustable range provides 4-7/8" - 6-3/4" additional height.

ROTFJ6115 - Auxiliary Adapters

For use when raising certain vans or pickups. Includes four adapters, mounting rack and hardware. 2,500 lb. capacity per adapter.



ROTFJ6133 - Extended Height Adapter

Extended height adapter. Includes four adapters, mounting rack and hardware. 2,500 lb. maximum capacity per adapter. Overall height 9".

ROTFA5191 - Tool Holder

To keep tools handy for technician, the tool holder keeps air guns, torque sticks, and other tools within easy reach. This accessory mounts easily in holes already drilled and tapped in the two-post column.



ROTMW5 - Battery Powered Mobile Tire/Wheel Lift

Battery powered mobile productivity lift for mounting and transporting tire and wheel assembly with adjustment of wheel forks to accommodate wheel rim sizes 13" - 22", four caster wheels for optimum maneuverability, free access from the rear to mount wheel nuts and hub, double lithium battery for up to 100 lifting cycles, lifting capacity of 130 lbs. 55" rise.



Cranes, Jacks & Stands

This is an introduction Cranes, Jacks, Stands & Material Handling. Some things to consider when shopping would be:

- Each shop should have at least one engine-removal device. Cranes (AKA engine hoists, cherry pickers, etc.) in the program that fold-up help reduce storage space.
- Each shop should have at least one service jack (AKA floor jack). 2+ ton capacity service jacks work on almost every vehicle. 5 ton jacks work great for the larger vehicles but may have clearance issues on the smaller passenger vehicles.
- Each shop should have at least one engine stand. Due to girth and weight of the V8 engines in the product line, capacity should be 1,000 lb or greater.
- Transmission jacks work great for transmission R&R, but they also work well for transfer cases, differentials, fuel tanks, and any other heavy or bulky component under the vehicle. Be sure to strap down the component being removed or replaced so it doesn't fall off the transmission jack.

When considering a purchase of any capitol equipment, please contact your Regional Manager at 1-800-368-6787 for assistance in configuring the proper set-up for your environment.

CRANES & ACCESSORIES

SUPPLIED BY: NORCO INDUSTRIES, INC.

NRI78106A - 2,500 lb. Capacity Foldable Engine Crane

Designed to raise, lower and transport automobile engines, transmissions, differentials and other heavy loads with minimal effort. Four position telescopic boom with 3/8" chain and swivel mounted hook. Three ton capacity hydraulic power unit provides faster raising action and a large diameter ram to withstand angle loads.



CRANES & ACCESSORIES

SUPPLIED BY: OTC / A DIVISION OF SPX

Floor Cranes

Used to raise and lower and transport automobile engines, transmissions, differentials and other heavy loads with minimal effort.

Features

- Telescoping boom extension for added reach.
- Hydraulic jacking power provides fast engine removal and replacement.

Models

- OTC1807 - 1,000 lb. capacity mobile floor crane.
 - OTC1815 - 2,200 lb. capacity mobile floor crane.
 - OTC1819 - 2,200 lb. capacity heavy-duty floor crane.
- Space saving fold away feature for storage. Leg spread adjusts to clear vehicle's wheels or other obstacles.
- OTC1820 - 4,400 lb. capacity heavy-duty floor crane.
- Space saving fold away feature for storage. Leg spread adjusts to clear vehicle's wheels or other obstacles.



OTC1819

Load Rotor Positioning Slings

Use with a crane or hoist. Engine, transmission, or other component is tilted or leveled by turning sling's hex drive end with a common speed handle and socket. Makes engine removal and installation a snap, even in close quarters.

Models

- OTC1805 - 2,000 lb. capacity Load-Rotor Sling. 56-1/2" long chain and hook assembly with forged swiveling hook on each end. Pair of special mounting brackets included.
- OTC1806 - 4,000 lb. capacity Load-Rotor Sling. 65-3/4" long chain and hook assembly with forged swiveling hook on each end. Pair of special mounting brackets included.



OTC1805

JACKS & STANDS

SUPPLIED BY: HERKULES EQUIPMENT

Air Jacks

Herkules Air Jacks have designed-in features that make them the safest and best value in vehicle lifting jacks. An internal stabilizing cylinder ensures stable, solid positioning. Dual safety valves prevent both over-inflation and uncontrolled deflation.

Features

- Portable, simple and safe.
- Compact and lightweight.
- Balanced handle for ease of positioning.
- Strong, fast and efficient.
- Internal stabilizing cylinder minimizes side to side movement.
- 4500 lb. lifting capacity.

Models

- HKEAJ-2 - Air Jack. Adjusts from 6-1/2" in lowered position to 13".
- HKEAJ-3 - Air Jack. Adjusts from 7-7/5" in lowered position to 19-1/4".
- HKEAJ-X50 - Air Jack Extender. Quickly adds 2" of height.
- HKEAJ-X100 - Air Jack Extender. Quickly adds 4" of height.



Air Jacks

JACKS & STANDS

SUPPLIED BY: NORCO INDUSTRIES, INC.

Bottle Jacks

For automotive and industrial applications where lifting, pushing, spreading, bending, pressing or straightening are required.

Features

- Two piece zinc plated handle.
- Prevent rust with "Parkerized" pump piston, ram and extension screw.
- No leak "Uniweld" construction.
- 50% safety overload factor.
- State of the art design reduces repair time.
- Longer wear life due to internally machined oil passages, smooth bearing surfaces and close tolerances.
- Lightweight forged base provides more steel only where strength is required.
- Cold headed extension screw and release valve eliminates parts and reduces the chances of breakage and excessive wear.
- Safety oil by-pass system prevents the ram from being overextended and causing damage to the cylinder.

Models

- NRI76503 - 3 ton capacity bottle jack. Rise height: 14-1/4".
- NRI76505 - 5 ton capacity bottle jack. Rise height: 18-9/16".
- NRI76508 - 8 ton capacity bottle jack. Rise height: 18-5/16".
- NRI76412 - 12 ton capacity bottle jack. Carrying handles for easy transport. Rise height: 18-7/8".
- NRI76412G - 12 ton capacity bottle jack with gauge hole. Carrying handles for easy transport. Rise height: 18-7/8".
- NRI76512 - 12 ton capacity bottle jack. Carrying handles for easy transport. Rise height: 13-3/16".

**Service Jacks**

Heavy-duty professional quality floor jacks designed for a variety of automotive shop uses including day to day rigors of the tire changing industry.

Features

- Fast acting pump raises jack to maximum height. Not only lifts fast to the load but lifts load fast.
- Safety by-pass and overload systems protect against hydraulic block.

Models

- NRI71202A - 2 ton capacity floor jack. Angular pump piston provides efficient stroke no matter how far under the vehicle the jack is positioned.
- NRI71230A - 2-1/4 ton capacity floor jack. Long, removable two piece handle with knurled hand grip. Steel hydraulic block assembly includes dust seals to prevent oil contamination.
- NRI71232 - 2-1/4 ton capacity floor jack. Two pump piston design raises the jack to the maximum height in 6-1/4 incremental pump strokes.
- NRI71500E - 5 ton capacity floor jack. Chromed ram and dust seals prevent hydraulic contamination.
- NRI71550E - 5 ton capacity air/hydraulic floor jack. Locking release lever secures handle in the vertical, 45 degree or horizontal position to lower the load.
- NRI71000D - 10 ton capacity floor jack. Locking release lever secures handle in the vertical, 45 degree horizontal position to lower the load.
- NRI72212 - 12 - 55 ton capacity air/hydraulic telescopic floor jack. Suspension loaded axle prevents wheel damage. Vacuum operated ram retraction eliminates manual lowering of jack. Safety button at top of the handle can be pushed in to immediately stop the jack.



NRI71202A



NRI72212

Transmission Jacks

Designed for the removal, installation and transportation of transmissions and transfer cases on passenger cars, vans and trucks that are raised by an inground or above-ground lift.

Features

- Fully adjustable universal saddle with hand adjustable corner brackets and safety chain.
- Safety overload system prevents jack from being used beyond its rated capacity.

Models

- NRI72450A - 1/2 ton capacity telescopic air/hydraulic transmission jack. Provides hands free operation. Metered pump valve provides safe lowering of load.
- NRI72550A - 1/2 ton capacity telescopic double pump transmission jack. Two times faster rising action without load or with a load up to 400 lbs.
- NRI72475 - 3/4 ton capacity telescopic air/hydraulic transmission jack. Provides hands free operation. Metered pump valve provides safe lowering of load. Large 10-1/4" x 15-1/8" saddle plate and four adjustable "L" shaped locating bars.
- NRI72700A - 1 ton capacity under hoist truck transmission jack. Foot operated pump and lowering pedals allow use of both hands to position and align saddle with transmission.



NRI72550A

JACKS & STANDS

SUPPLIED BY: NORCO INDUSTRIES, INC.

NRI72000D - 1-1/2 Ton Truck Transmission Jack

For heavy truck transmissions. Wide chassis with open front provides wider opening for saddle and transmission to come lower to the ground for easy removal. Safety overload system prevents jack from being used beyond its rated capacity.



Engine Stands

For safe handling and positioning of most automotive engines.

Features

- Fully adjustable engine mounting head.
- Long handle and 360 degree rotating head easily positions engine.
- One bolt disassembles stand for transporting or storage.
- Heavy wall tubing prevents excessive frame flex.
- 2 rigid wheels in back and 2 swivel caster wheels in front provide maximum stability and support.

Models

- NRI78100 - 1000 lb. capacity engine stand.
- NRI78108 - 1250 lb. capacity engine stand. Heavier construction to handle the largest V8's. Upgraded wheels with locking front caster wheels.



NRI78100

Jack Stands

For automotive use where vehicle is to be supported before making repairs.
ALL STANDS ARE SOLD AND INTENDED FOR TO BE USED IN PAIRS.

Features

- Spring loaded pawl provides constant locking pressure against lifting column.
- Four legged base with foot pads for added strength and a more secure footing on asphalt.

Models

- NRI81004C - 3 ton capacity jack stands. Machine bolt secures lifting column to stand. Recessed column saddle for acceptance of vehicle panel rail. Lock handle cannot be disengaged until load is off the saddle column.
- NRI81006D - 6 ton capacity jack stands. Machine bolt secures lifting column to stand. Lock handle cannot be disengaged until load is off the saddle.
- NRI81210 - 10 ton capacity jack stands. High height. Pin type support column. Large support saddle with locating lugs position and center load.
- NRI81012 - 12 ton capacity jack stands. Machine bolt secures lifting column to stand. Lock handle cannot be disengaged until load is off the saddle.



NRI81210



NRI81012

Under Hoist Stands

Ideal for exhaust system installation, shock absorber replacement and any task which requires relieving pressure off components.

Features

- Lightweight, slender design makes handling easy, even in close quarters.
- Quick adjust spin handle with thrust bearing eliminates wear and provides ease of turning under load.

Models

- NRI81033A - 3/4 ton capacity under hoist stand.
- NRI81034A - 3/4 ton capacity under hoist stand w/foot pedal. Foot pedal generates 1" additional stroke and 400 lbs. of force at the saddle.
- NRI81036A - 1 ton capacity under hoist stand. Foot activated pump and lowering pedals allow use of both hands to position components. Two wheels provide easy maneuvering of stand into work position.
- NRI81035A - 1-1/2 ton capacity under hoist stand. Adjustment pin chained to the stand secures the support column at 6 different height positions.
- NRI81022A - 20 ton capacity trailer stabilizing stand. Meets OSHA requirements for supporting trailers when loaded or unloaded.



NRI81036A



NRI81034A

JACKS & STANDS

SUPPLIED BY: OTC / A DIVISION OF SPX

Floor Jacks

High quality automotive floor jacks ensure your safety and help you do a better job on the vehicle being serviced.

Features

- Built in safety overload system prevents use beyond rated capacity.
- Built from select steel. They stand up to the abuse that jacks are subject to daily.

Models

- OTC1525 - 2 ton capacity floor jack. Sealed cylinder prevents contamination of hydraulic system. Lifting range: 3-3/4" - 22-3/4".
- OTC1503A - 2-1/2 ton capacity floor jack. Lifting range: 5" - 20".
- OTC1505B - 5 ton capacity floor jack. Convenient foot pedal speeds the lifting operation. Lifting range: 6" - 22".



OTC1525

Transmission Jacks

Discover fully adjustable transmission jacks that get under the lowest clearance trucks, making it ideal for clutch and transmission repair work.

Models

- OTC1728 - 1,000 lb. capacity high lift transmission jack. Height range: 34-1/2" - 75".
- OTC1791 - 1,000 lb. capacity high lift transmission jack. Universal mounting head provides wide fore and aft tilt range. Height range: 36" - 73-1/2".
- OTC5019 - 2,200 lb. capacity low lift transmission jack. Low height perfect for aerodynamic trucks with low ground clearance. Swiveling pump handle permits ease of operation in restricted working spaces. 8-1/4" low height.



OTC1728

OTC5202 - Two Ton Service Jack

Unique, innovative design featuring; ergonomic handle for user comfort and easy mobility, foot pedal for quick approach of the lifting saddle to load, built in tray for fasteners and tools, polyamide wheels. CE marked - ASME/PAL tested. Minimum clearance: 3", Maximum height: 18-1/4", Weight: 70.5 lbs.



OTC1726A - 1,000 lb. Engine Stand

A timesaver for passenger car and light truck engine rebuilding or repair. Four adjustable attachment arms make engine mounting fast and easy. Engine can be rotated a full 360° with a turn of the handle; a locking pin secures the work in any of eight positions.



Transverse Engine Support Bar

Lifts and supports the engine while the transmission or transaxle is being removed or replaced.

Features

- Adjustable to fit most all vehicles.
- Prevent damage while working on transmission.

Models

- OTC1722 - Transverse Engine Support Bar. 500 lb. capacity, 14" hook, expands to 61" wide.
- OTC1724 - 3 Bar Transverse Engine Support Bar. 700 lb. capacity, includes OTC1722, all cables and adjustable hooks and OTC214068 support arm.



OTC1722

JACKS & STANDS

SUPPLIED BY: OTC / A DIVISION OF SPX

OTC1735A - Heavy-Duty Motor-Rotor Repair Stand

Handles a wide variety of engines, transmissions, torque converters, and rear axles from trucks. Twin post design, featuring laterally adjustable, 3 position outboard support; provides an extremely stable work-holding unit.



Jack Stands

Ratchet style jack stands.

Features

- Steel base for strength.
- Self-locking ratchet handle.
- Durable baked enamel finish.
- Stands conform to ANSI PALD-4 load rating standard; factory tested before shipment.

Models

- OTC1772C - Pair of 3 ton jack stands. Base: 8-1/4" x 7-1/2", Height range: 11" to 17", Weight: 15 lbs.
- OTC1773C - Pair of 6 ton jack stands. Base: 11-7/16" x 10", Height range: 15-3/8" to 24-1/4", Weight: 25 lbs.



OTC1773C

JACKS & STANDS

SUPPLIED BY: ROTARY LIFT

ROTGUWSFF5 - Transmission Jack

Portable high rise productivity jack assembly for removal and transportation of transmissions, transfer cases and other items from cars, light trucks and SUVs. With foot pedal adjustment for ease in raising and lowering components, swivel caster wheels and corrosion protection on the cylinder piston assembly. 1,100 lb. capacity 43-1/4" rise.



POWER TRAIN LIFTS

SUPPLIED BY: NORCO INDUSTRIES, INC.

NRI72675 - Power Train Lift / Table

The Power Train Lift/Table not only handles transmissions and fuel tanks, but also engines and transaxles, rear ends and leaf springs. Serves as a work table where the components can be lowered to a stable and secure work height for repair. 1250 lb. capacity.



POWER TRAIN LIFTS

SUPPLIED BY: OTC / A DIVISION OF SPX

OTC1585A - Power Train Lift 1,250 lb. Capacity

This lift will handle engine and transmission assemblies, gas tanks, drive axle assemblies, and more. Tilts 22° front-to-back, 17° side-to-side. Height range is 29-1/2" to 68-1/2". Table size is 20-1/2" x 30-1/2".

**OTC1595 - Power Train Lift 2,500 lb. Capacity**

This lift will handle engine and transmission assemblies, gas tanks, drive axle assemblies, and more. Tilts 15° front-to-back and side-to-side. Features large casters that can accommodate heavy loads and a 30 ft. long retractable extension cord reel mounted to the frame. Height range is 29" to 80". Table size is 20-1/2" x 32-1/2".



MATERIAL HANDLING

SUPPLIED BY: HASSEL MATERIAL HANDLING CO.

Material Lifts

Lite Package Material Lifts are a safe, convenient and fast way to transfer parts from floor to floor in parts or service departments. For use through cutout in middle of floors, edge of mezzanines or outdoor wall of building. Saves time and reduces risk of employee injury from constant movement of material up and down stairways.

Features

- Transfer bulk boxed parts, hand truck loads, wheels and tires.
- Qualified installation crew for complete, worry-free installation.
- Stops can be set at waist high for ergonomic package transfer or floor height for use with hand trucks (mechanically only).
- Different load/unload configurations to accommodate different layouts.
- Variety of door configurations available.
- Colors: Gray, blue or black.

Models

- HMHLC1143 - 1000 lbs. capacity, usable platform size 36"W x 36"D, up to 48"W x 48"D, services (1) level only.
- HMHLM5141 - 500 lbs. capacity, usable platform size 36"W x 36"D, up to 48"W x 48"D, can service (1), (2) and (3) levels.
- HMHLM5142 - 500 lbs. capacity, usable platform size 24"W x 30"D, can service (1), (2) and (3) levels.
- HMHMLH2144 - 2,000 lbs. capacity, usable platform size up to 96"W x 120"D, services (1) level only.
- HMHMLM2145 - 2,000 lbs. capacity, usable platform size up to 96"W x 120"D, can service (1), (2) and (3) levels.



HMHLC1143

MATERIAL HANDLING

SUPPLIED BY: NORCO INDUSTRIES, INC.

NRI78090 - 3,600 lb. Capacity Car Dolly

For easy movement of vehicles that have been rendered inoperable due to engine / transaxle removal or other mechanical problems. Frees up lifts and floor jacks for other work to be performed. Used in automobile repair, collision repair, and vehicle inspection applications.



MATERIAL HANDLING
SUPPLIED BY: WESCO INDUSTRIAL PRODUCTS

WCO136RFN24 - Steel Hand Truck

Heavy-duty industrial strength hand truck with 24" folding nose extension. 8" x 14" 7-gauge thick nose plate with beveled edge. 800 lb. capacity.



Winch or Hydraulic Peda-Lift Trucks

Two and four wheel model pedalifts. Auto brake designed winch raises and lowers by turning handle, no catches to lock or release required. 750 lb. capacity. 54" lifting height. 60-1/2" overall height.

Features

- Steel construction for ruggedness.
- 22"d x 33"w platform size.
- Positive action wheel locks.
- Hydraulic foot pump or hand winch-operated lifting action.
- Made in U.S.A.

Models

- WCOPL54-2230 - Hydraulic, two wheeled pedalift.
- WCODPL542230 - Hydraulic, four wheeled pedalift.
- WCOWPL542230 - Hand winch, two wheeled pedalift.
- WCOWDPL54223 - Hand winch, four wheeled pedalift.



WCODPL542230

WCO272760 - Pallet Truck

Deluxe Lowboy Model Pallet Truck - 21 x 36 inch Fork. Features: 6" moldon polyurethane steering wheel. 2" steel load wheels. 6-1/4" raised height. 2" lowered height. 6" wide forks.



Lift Tables

Designed for safe, easy, transportation, and lifting of materials.

Features

- Floor locks hold table steady for loading and unloading.
- Four support posts and push handle.
- 7 gauge steel top and base construction.

Models

- WCOLT203248 - 2,000 lb. Capacity Medium Duty Lift Table. (2) rigid and swivel 6" casters, 32" x 48" table size, lowered height 37", raised height 59".
- WCOPLT203248 - 2,000 lb. Capacity Powered Lift Table. 6" casters, 32" x 48" table size, lowered height 37", raised height 59". Three light LED battery charge status indicator, remote control for raising and lowering.



WCOLT203248

Battery Operated Power Stackers

Adjustable span straddle power stackers. Extra deep 40" straddle legs and forks for lifting pallets. Adjustable span straddle legs can be set from 34" to 50" inside dimension to handle most standard pallets. Up to 76" lift height.

Features

- 1,000 lb. lift capacity.
- Remote control, floor locks and safety screen.
- Automatic charger allows unit to run off battery while recharging.
- Three light LED battery status indicator.
- Easy-to-read illuminated voltmeter.
- Made in the U.S.A.

Models

- WCOPASFL564S - Adjustable straddle fork power stacker. 56" lifting height.
- WCOPASFL644S - Adjustable straddle fork power stacker. 64" lifting height.
- WCOPASFL764S - Adjustable straddle fork power stacker. 76" lifting height.



WCOPASFL764S